

# Spectator Seating

# Company Profile

Dedicated to strict quality control and thoughtful customer service, our experienced staff members are always available to discuss your requirements and customer satisfaction. Our company has introduced a series of advanced equipments including CNC shearing machine, bending machine ,punching roll line, CNC punch machine, power coating line and so on. In addition, we have obtained ISO9001, ISO14001, OHSAS18001, CE, TUV, SGS and China Sports test certificates.

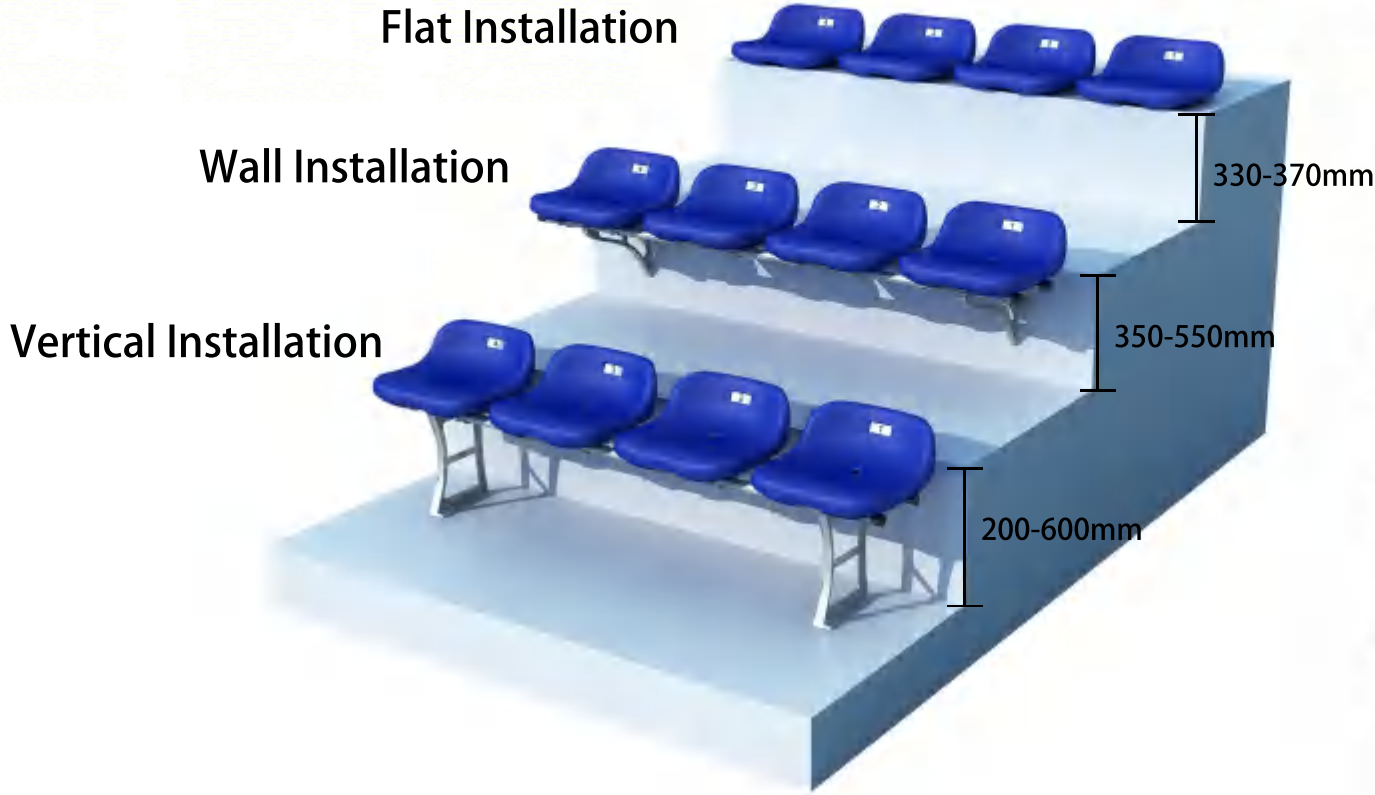
Our products are selling well all over the world including America, Asian, Europe, Africa and Oceania. Adhering to the business principle of mutual benefits, we have had a good reputation among our customers because of our perfect services, quality products and competitive prices We also welcome OEM and ODM orders. Whether selecting a current product from our catalog or seeking engineering assistance for your application, you can talk to our customer service center about your sourcing requirements.



# Exhibition



# Fixed Chair



## Eco-L

Size: W415mm\*D410mm\*H162mm

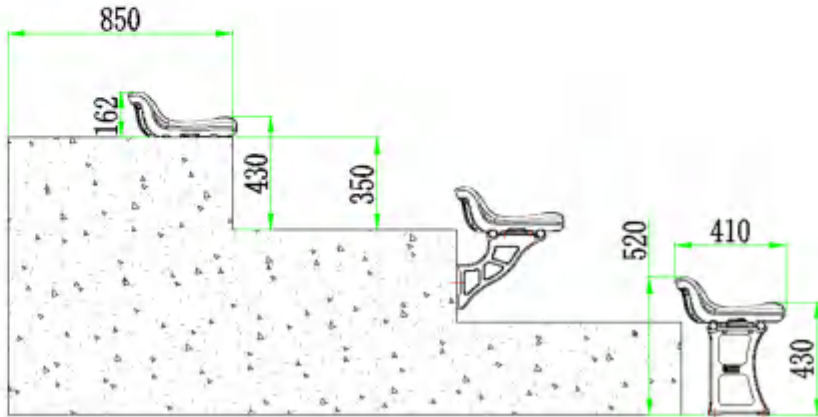
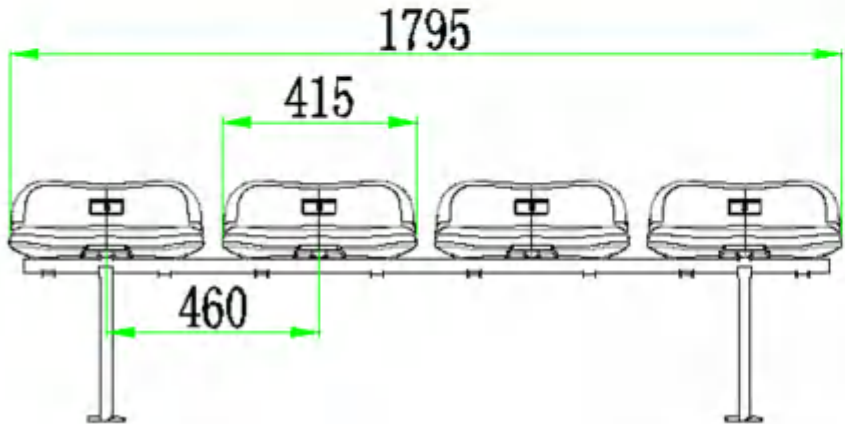
Material: HDPE

Production Tech : Blow molding

Application: Stadium Seating, Telescopic Bleachers, Metal Structure Bleacher

Bleacher

Features: Anti-aging, Anti-UV, Fire-proof



# Eco-M

Size: W417mm\*D477mm\*H312mm

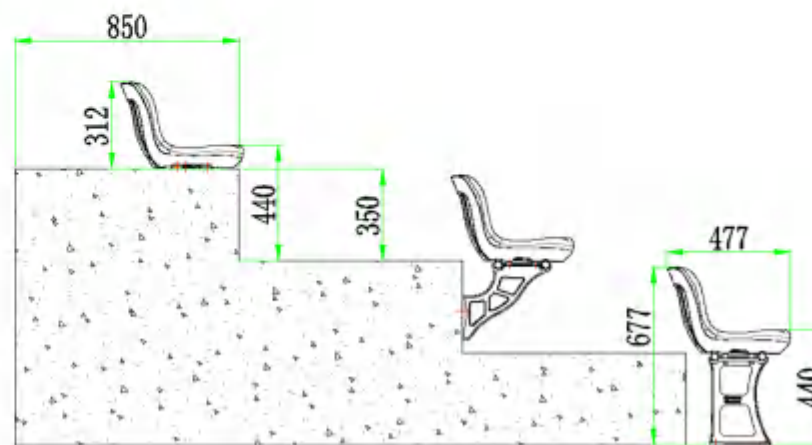
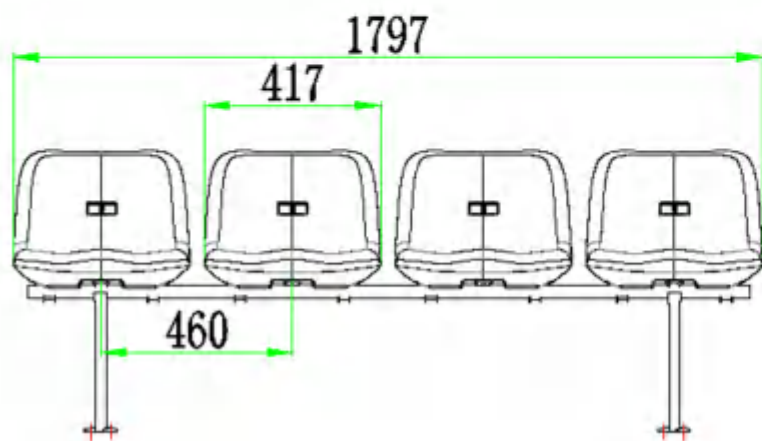
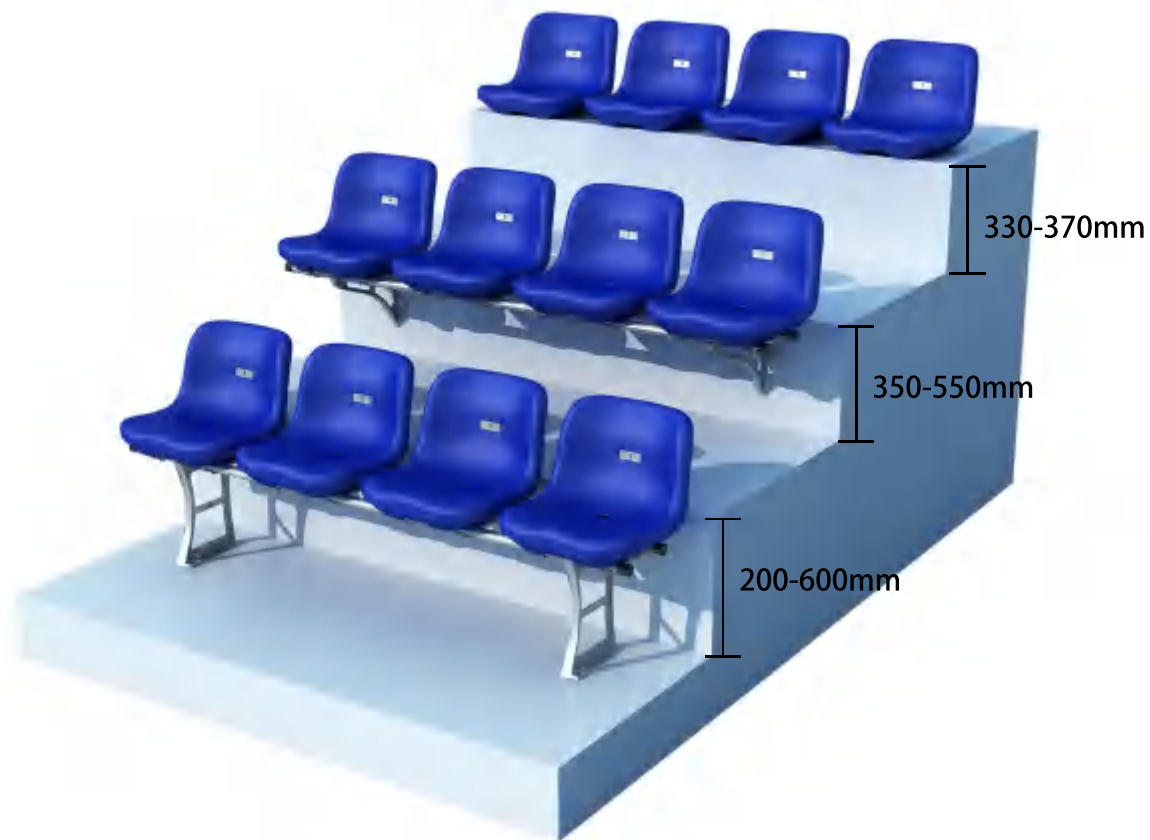
Material: HDPE

Production Tech: Blow molding

Application: Stadium Seating, Metal

Structure Bleacher

Features: Anti-aging, Anti-UV, Fire-proof



# Fixed Chair



## ECO-H

Size: W430mm \* D417mm \* H347mm

Material : HDPE

Production Tech: Blow molding

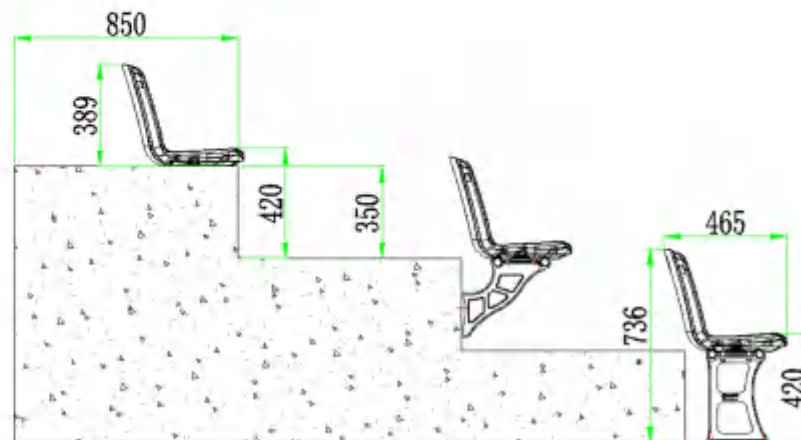
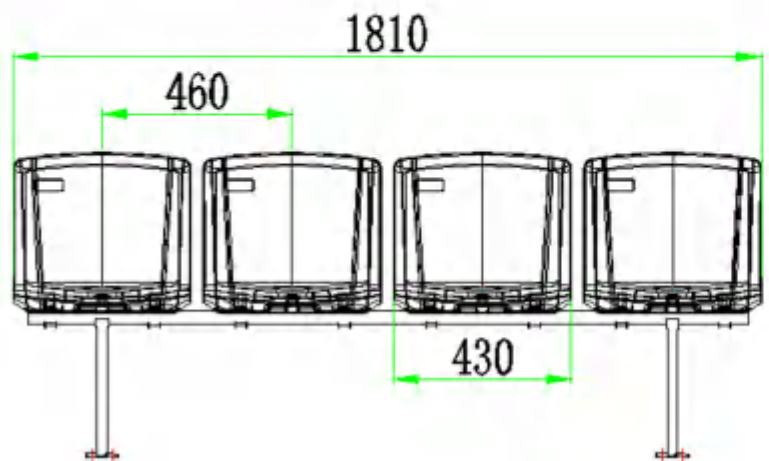
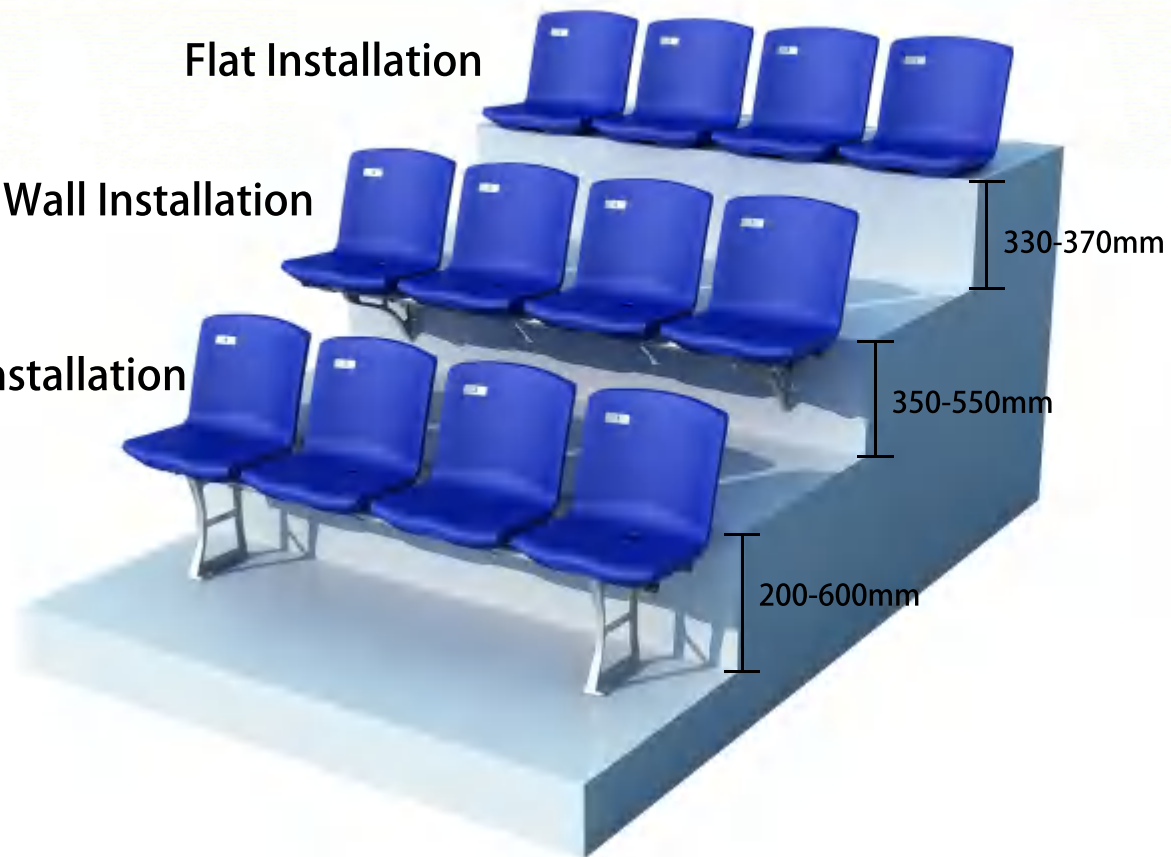
Application: Stadium Seating, Metal Structural Bleacher

Features: Anti-aging, Anti-UV, Fire-proof

Flat Installation

Wall Installation

Vertical Installation





# IKA

Size: W435mm \* D480mm \* H330mm

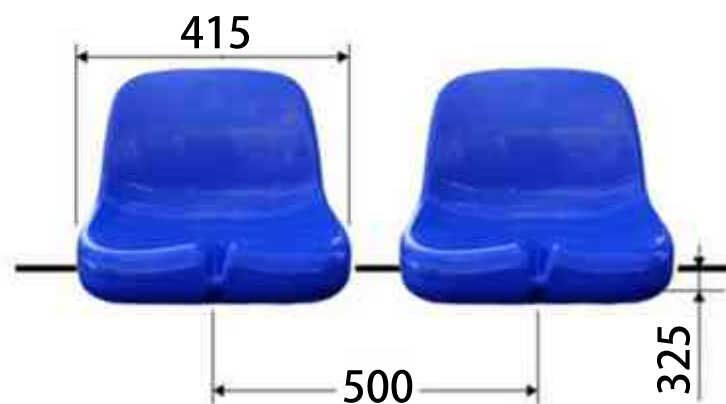
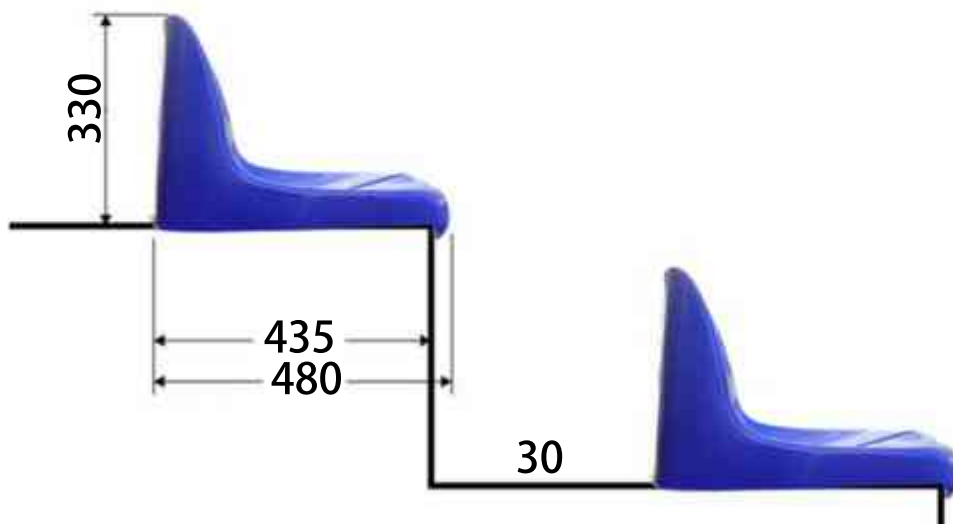
Material : PP

Production Tech: Injection

Application: Stadium Seating, Metal  
Structural Bleacher

Installation Method: flat Installation-  
Vertical Installation / Wall Installation

Features: Anti-aging, Anti-UV, Fire-  
proof

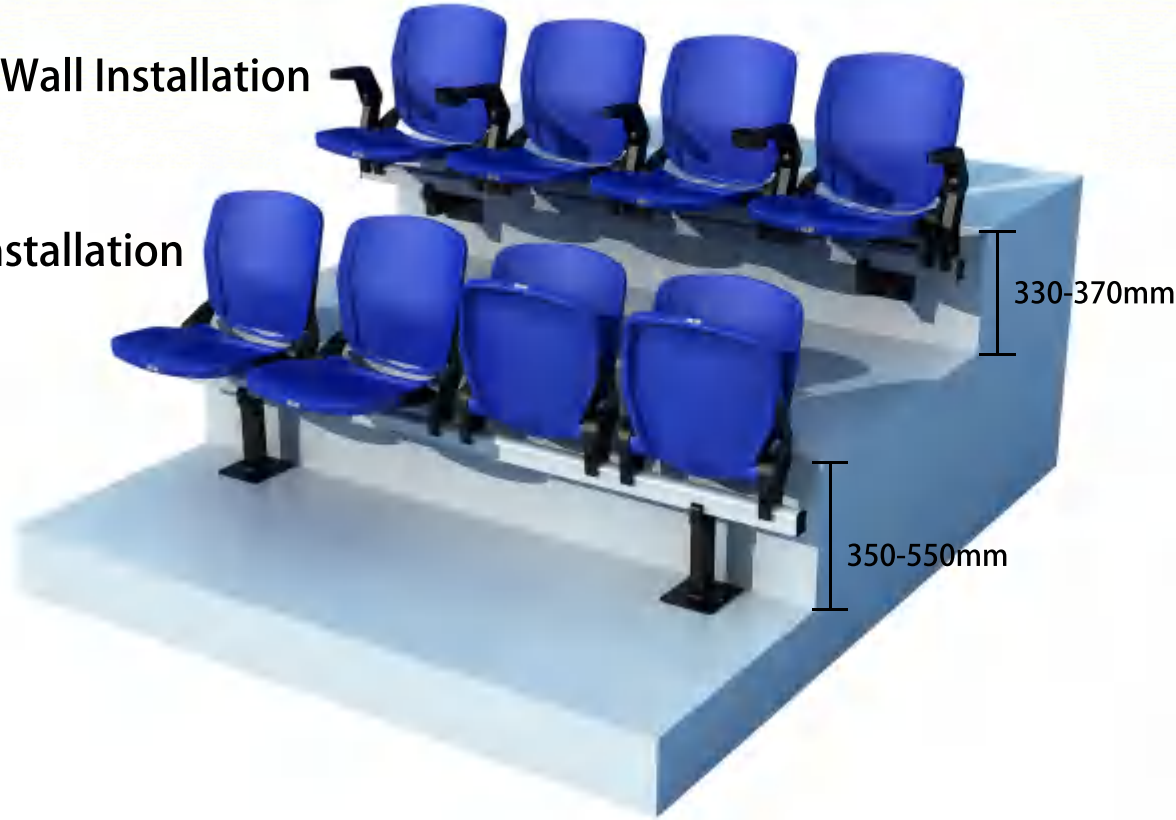


# Fixed Chair



Wall Installation

Vertical Installation



## Shell

Size: W435mm \* D552mm \* H782mm

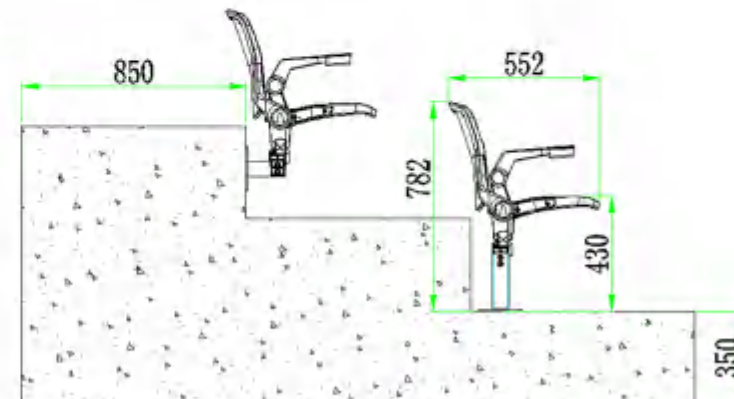
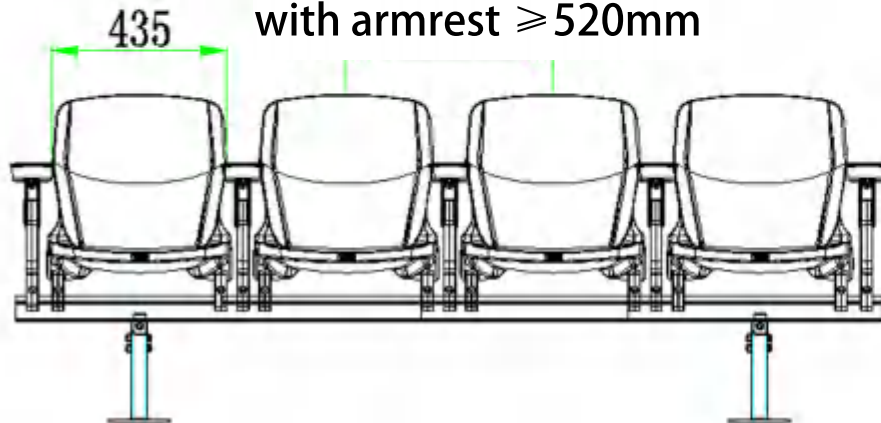
Material: PP

Production Tech: Air Injection

Application: Stadium Seating, Telescopic Bleachers, Metal Structural Bleachers

Features: Anti-aging, Anti-UV, Fire-proof

center to center 480mm  
with armrest  $\geq 520$ mm





# Ace

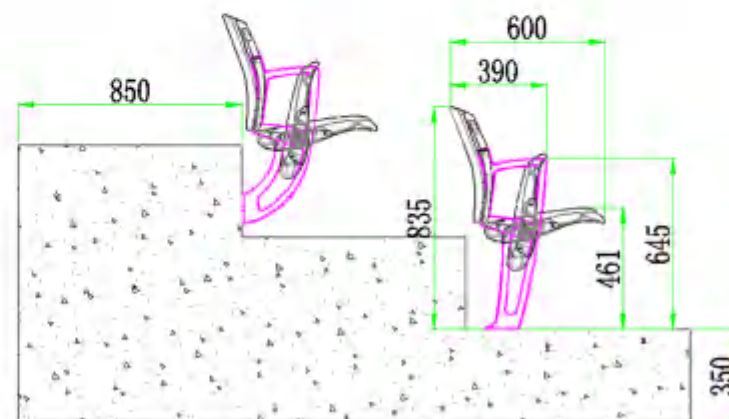
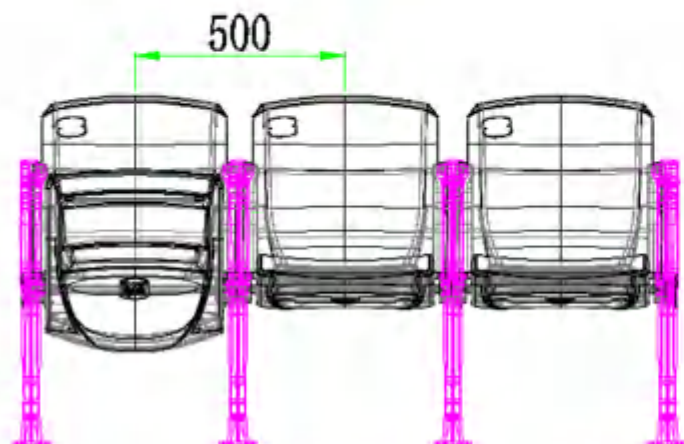
Size:W430mm \* D600mm \* H835mm

Material: HDPE

Production Tech: Blow molding

Application: Stadium Seating, Metal  
Structural Bleacher

Features: Anti-aging, Anti-UV, Fire-  
proof

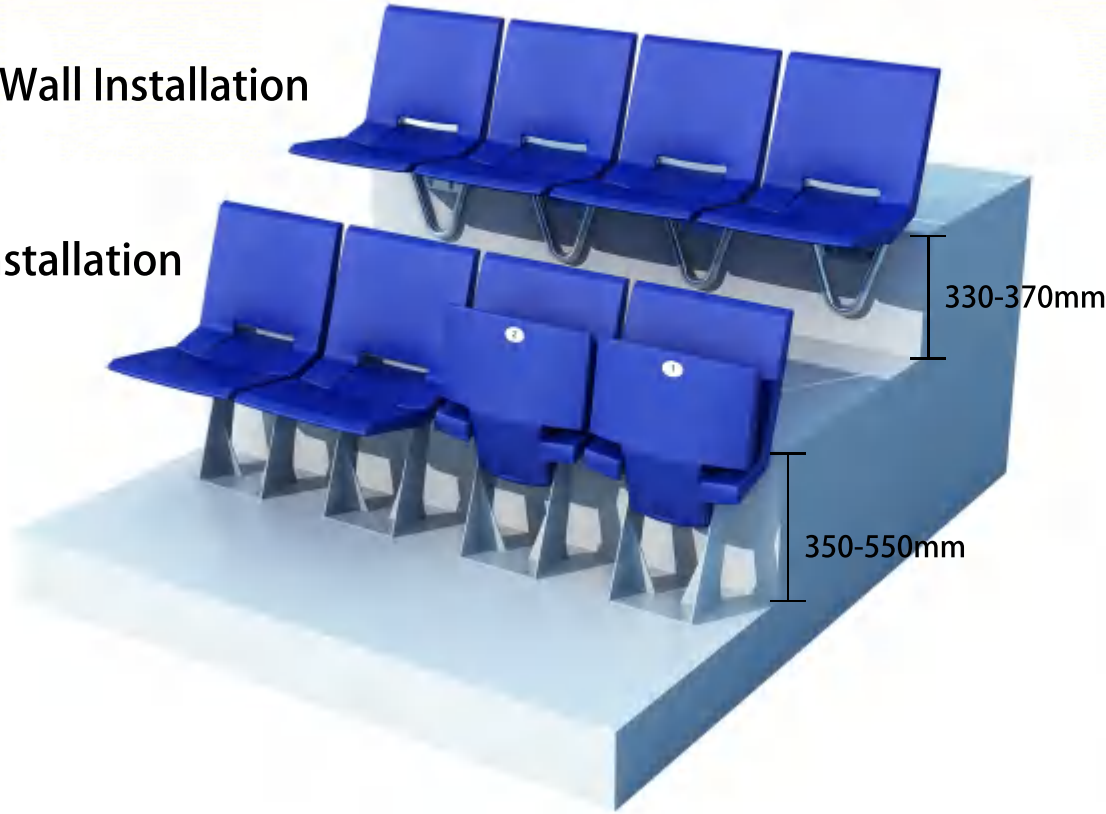


# Fixed Chair



Wall Installation

Vertical Installation



**X**

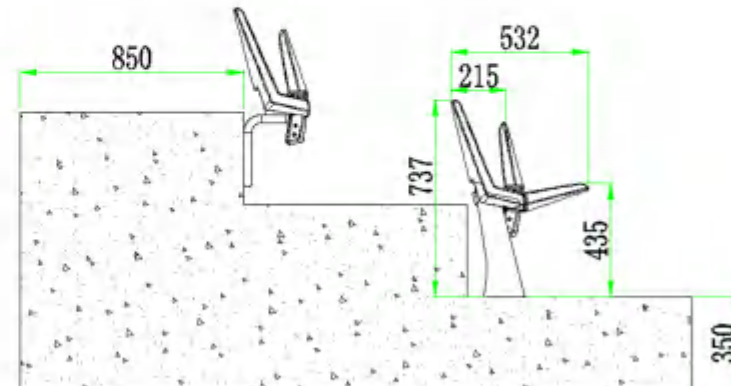
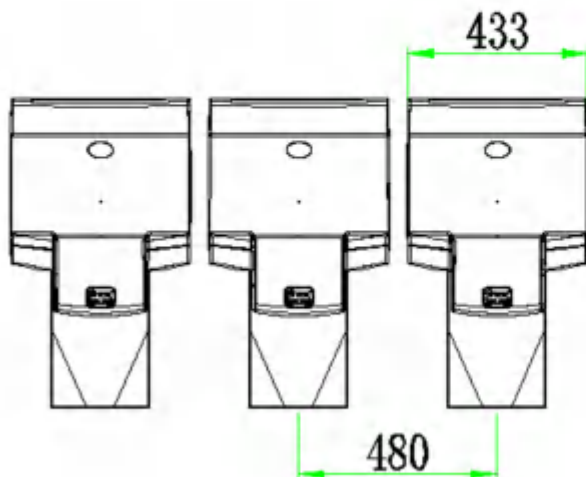
Size:W433mm \* D532mm \* H737mm

Material : HDPE

Production Tech: Blow molding

Application: Stadium Seating, Metal  
Structural Bleacher

Features: Anti-aging, Anti-UV, Fire-  
proof





# MAX

Size: W432mm \* D550mm \* H760mm

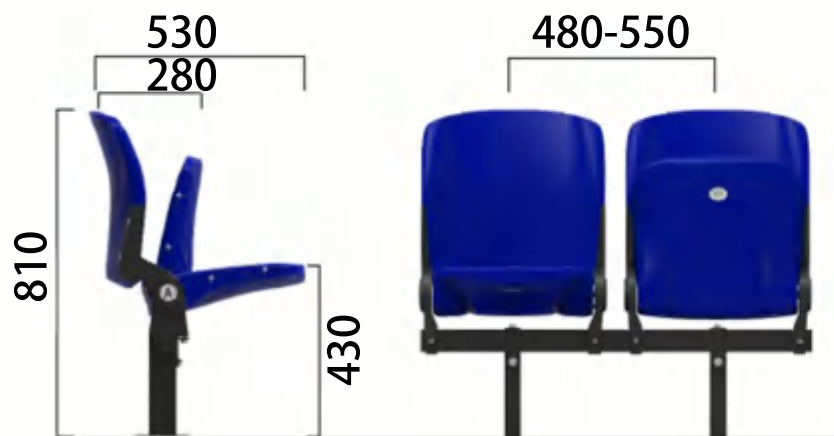
Material: HDPE

Production Tech: Blow molding

Application: Stadium Seating, Telescopic Bleachers, Metal Structural Bleacher

Installation Method: Vertical Installation / Wall Installation

Features: Anti-aging, Anti-UV, Fire-proof



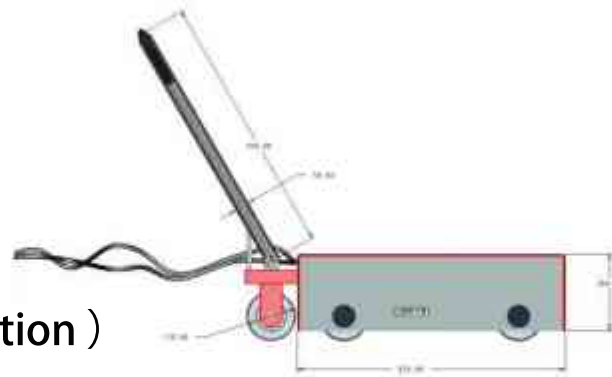
## Retractable Bleachers System (Telescopic Bleachers)

Flyon retractable bleacher system can be opened and closed freely. It is an extremely safe, steady, adaptable and efficiently seating system, which allowing you to make great use of your facilities. The system can meet different requirements for different usages like Gym, School, Event Centers, Auditoriums, Multi-purpose venues etc.



## Manual & Remote Control

Retractable platforms can be opened and closed with manual operation or remote control.



Manual operation  $\leq 8$  rows (Trolley option)

Remote control: the rate of the open and close is 0.126m/s.



## 3 types mount solution

According to the different types and requirements of the venue, types of stands can be selected to maximize the use of the space and meet the multi-functional use requirements of the venue.

### Wall Attached



The stands are fixed against the wall. After these stands are completely folded, the whole group of stands is placed on the wall to free up space.

### Recessed



The stand is designed by under the balcony. its optional, connected ground floor to the first floor .

### Portable Units

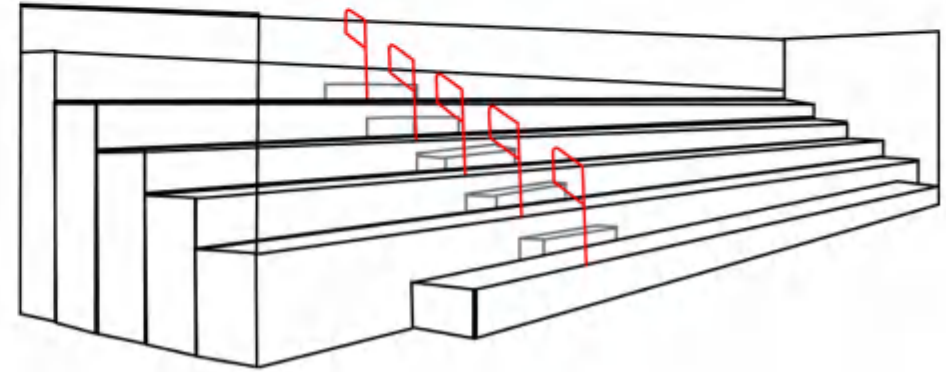
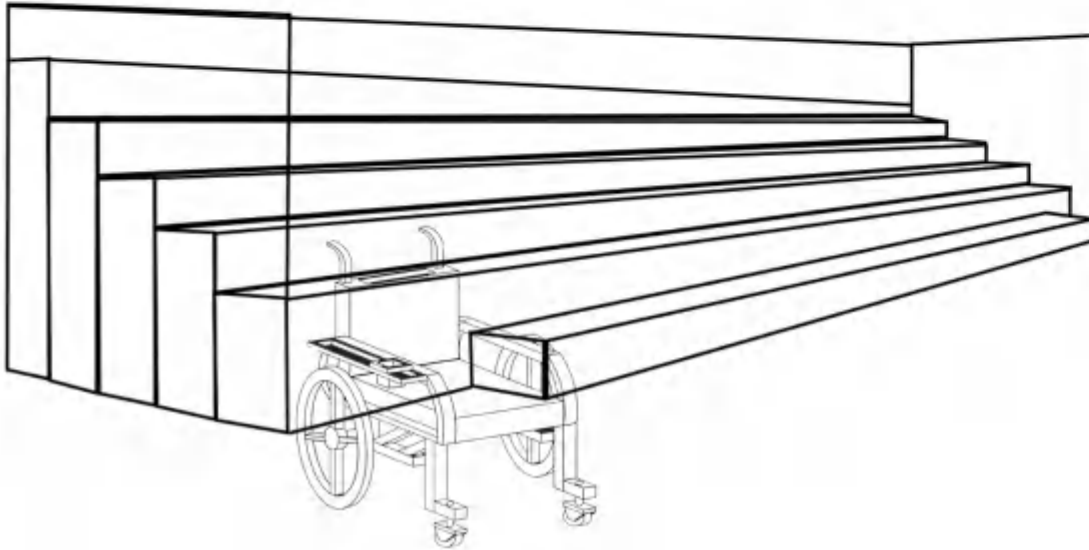


According to the actual situation of the venue, the portable stand can be moved and storage in different positions to free up space.

## Wheelchair Area and Aisle Rail

Wheelchair area is for the disabled. The location should be convenient for the disabled.

The aisle rail is to protect people's safety and complete the bleacher function.

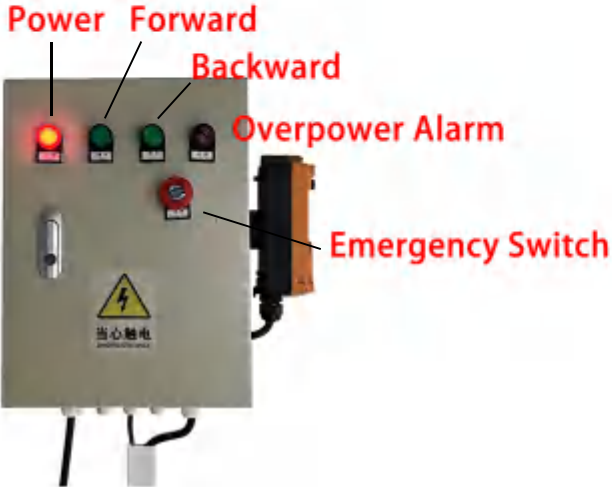


## Custom Logo and design

We can customize the logo for your personalized scheme. Besides, variety of seat color choices can make the stand looks more dynamic.



# Electronic Option : 380V 60HZ / 110V 50HZ





## NOVA

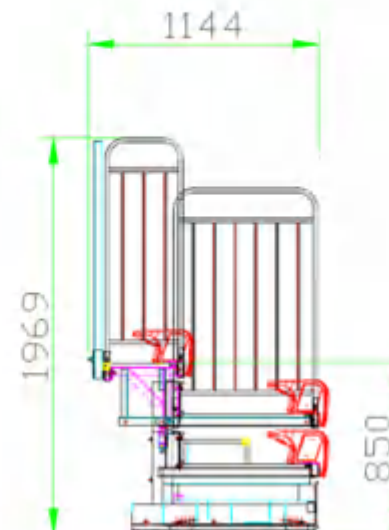
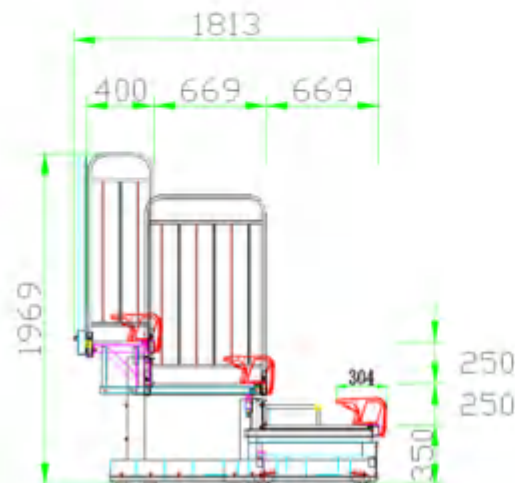
Size: 455\*304\*235mm

Material: HDPE

Production Tech: Blow Molding

Installation : Front Mounted

Application: Scholls, Sport center,  
Gymnasium.





# Mate

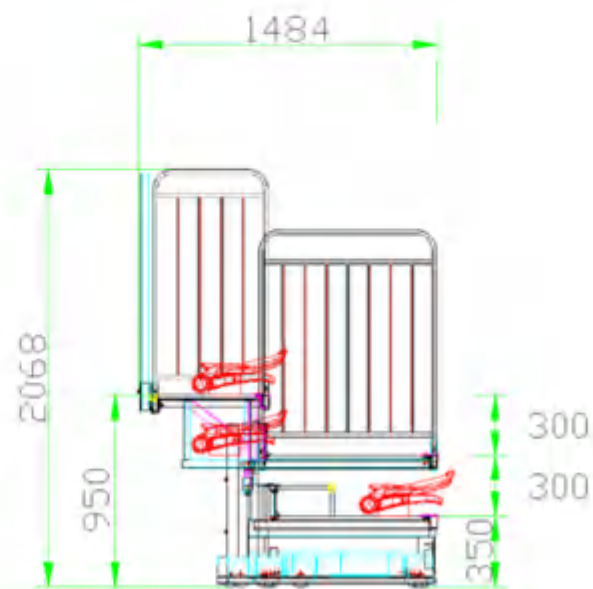
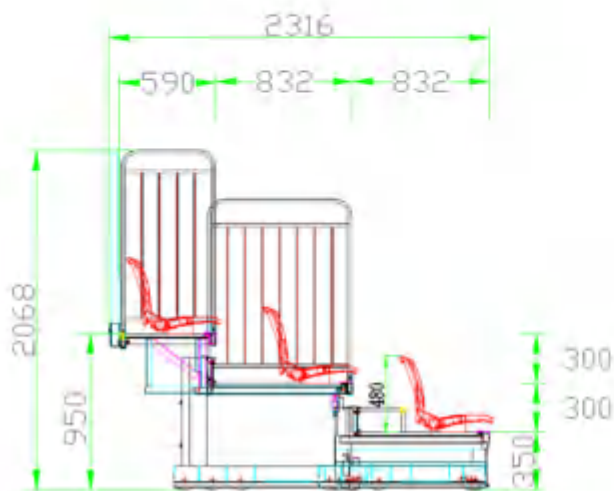
Size: 460mm\*542mm\*512mm

Material: HDPE

Production Tech: Blow Molding

Installation : Front Mounded/Rear-fold-  
ing

Application: Scholls, Sport center,  
Gymnasium.





## Shell

Size: 480mm\*552mm\*780mm

Material:PP

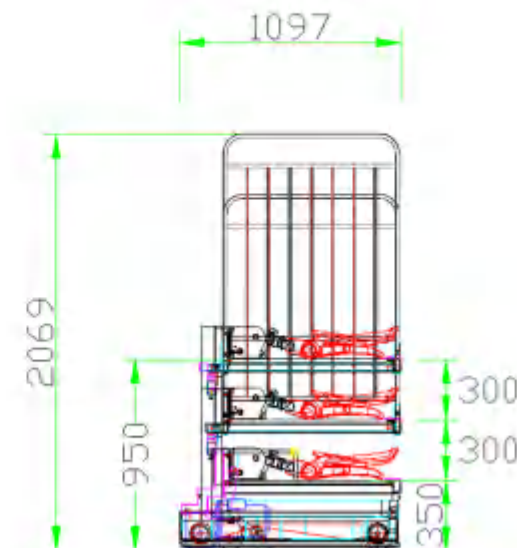
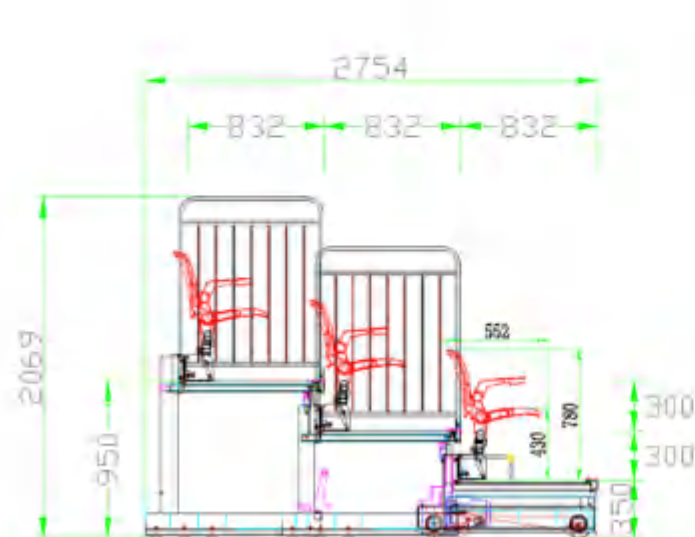
Production Tech: Air Injection

Installation: Rear-folding

Application: Concert hall, Studio

Meeting room, Venue, Auditorium,

Multi-function hall.





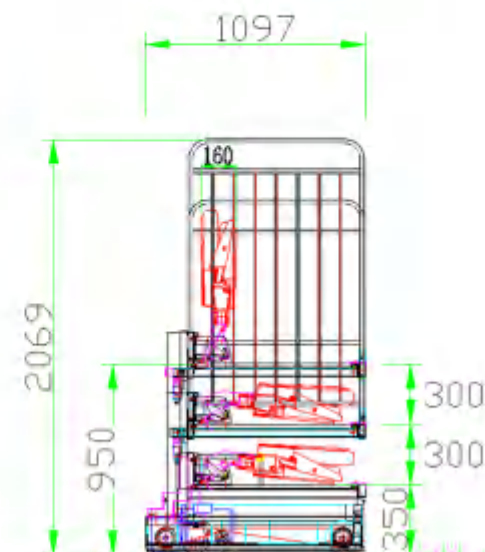
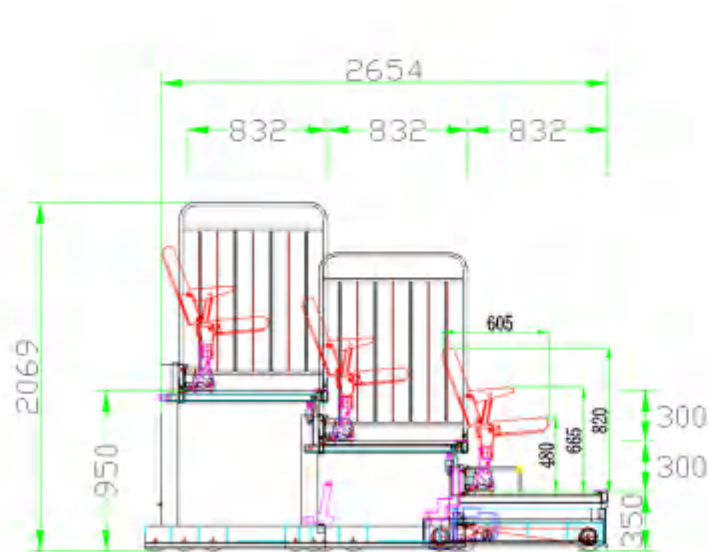
# Honor

Size: 510\*620\*650mm

Installation: Rear-folding

Application: Cinema, Meeting room,  
Venue, Auditorium, Concert hall.

Deck Optional: laminate with PVC/car-  
pet



## VIP Seat



**Soft Cushion:** High density foam upholstered with durable fabric

**Seat Back:** Fully upholstered outer back and seat pan

**Frame:** Heavy duty iron frame in powder coated finish

**Tip-Up Seat:** Specially designed synchronized seat and back folding mechanism

**Feet:** Well coated metal floor mounting type base



**Soft Cushion:** High density foam upholstered with durable fabric

**Seat:** High quality polypropylene outer seat pan

**Back:** Well finished plywood outer back pan

**Frame:** Heavy duty iron frame in powder coated finish

**Armrest:** Quality lacquered nature solid wood

**Tip-Up Seat:** Durable dual spring driven flip up mechanism

**Feet:** Floor mounting type with 2 bolting holes

Seat Cushion Inner Frame: Super strong iron inner seat frame with S shape spring

Soft Cushion: High density foam upholstered with durable fabric

Seat|Back: Well finished plywood outer back and seat pan

Frame: Powder coated die-casting aluminium leg and frame

Armrest: Quality lacquered nature solid wood

Tip-Up Seat: Durable spring + damping flip up mechanism

Writing Table: Laminated wood writing pad with alu. folding mechanism

Feet: Casting alu. Floor mounting base, Optional installing angle degrees



Soft Cushion: High density foam upholstered with durable fabric

Seat|Back: Well finished plywood outer back and seat pan

Frame: Heavy duty iron frame in powder coated finish

Armrest: Quality lacquered nature solid wood

Tip-Up Seat: Maintenance free counter weight mechanism

Feet: Floor mounting type with 2 bolting holes



## Aluminum portable Bleachers

The portable bleacher is made of aluminum. It is welded with customized aluminum alloy profiles. It consists of three parts, which are aluminum structure, deck and seat. These advantages are modular assembly (connect each unit easily), easy to operate and moved and combined according to the clients needs. It is suitable for small and medium-sized gymnasiums, schools, multi-function halls, indoor and outdoor competition venues and outdoor leisure clubs.



The small portable aluminum bleacher is the best choice of increasing seat temporarily. With wheel system, it's easy to move and stock.

## 3/4/5rows aluminum bleachers



Product:	3 rows single pedal
Length:	2050mm/4068mm
Width:	1620mm
Height:	656mm
Seat:	15PCS/27PCS



Product:	3 rows double pedal+seat
Length:	2250mm/4080mm
Width:	1620mm
Height:	724mm
Seat:	15PCS/27PCS



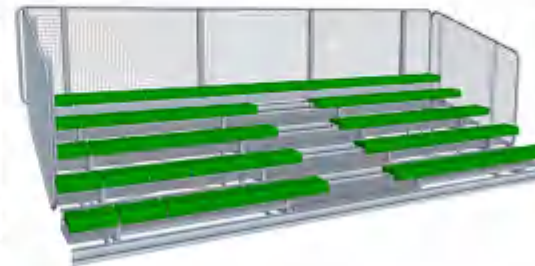
Product:	4 rows single pedal
Length:	2225mm/4005mm
Width:	2580mm
Height:	1216mm
Seat:	20PCS/36PCS



Product:	4 rows double pedal+seat
Length:	2250mm/4080mm
Width:	2610mm
Height:	1285mm
Seat:	20PCS/36PCS



Product:	5 rows bench without aisle
Length:	4080mm
Width:	2965mm
Height:	2293mm
Seat:	45PCS



Product:	5 rows bench with aisle
Length:	6328mm
Width:	3080mm
Height:	2293mm
Seat:	62PCS

# Metal Structure Bleachers

## Scaffolding system Structure Bleachers

The system is used for temporary matches or other activities to serve as spectators, which is variable and can be connected by different banks. The hot galvanized framework is combined with anodized aluminium seat plank and mill-finished foot planks, which can be daily used, both indoors and outdoors, with little or no maintenance for years to come.



The medium and small size structures are widely used in high schools, universities, football court, etc. Quality light steel and innovative designs are applied. The simplified design and safe structure with durability are approved by the market.



## H-Beam Metal Structure Bleachers

H-beam structure bleacher is one of the best ways to replace traditional concrete stand. It is permanent and stable. All of our seat models can be applied to this system. Hot-dipped steel guarantees that the whole system won't get rusted though long exposure to wind and sun. Each part is bolted and recyclable.

These structures offer the most flexible design. The design could be adapted to accommodate site and terrain configurations. Columns are typically placed apart to accommodate parking, restrooms and other storage facilities under the structure. H-beam structures are fabricated from wide flange steel. Hot-dipped galvanization is needed after fabrication.









